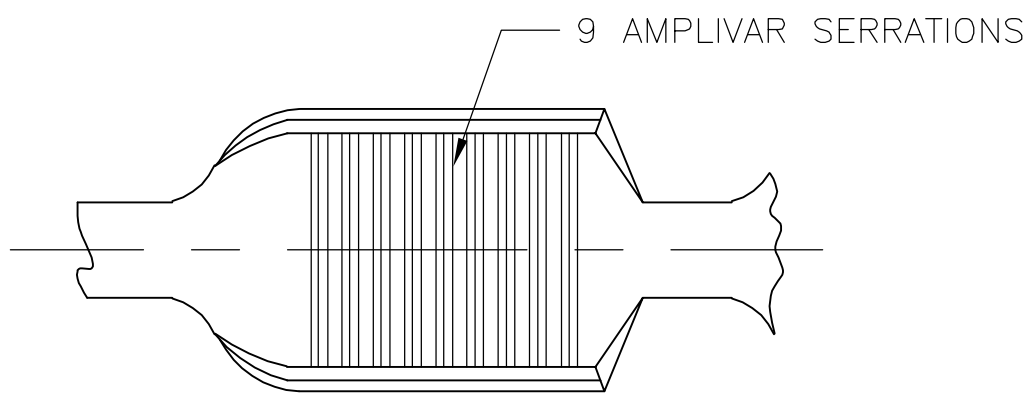
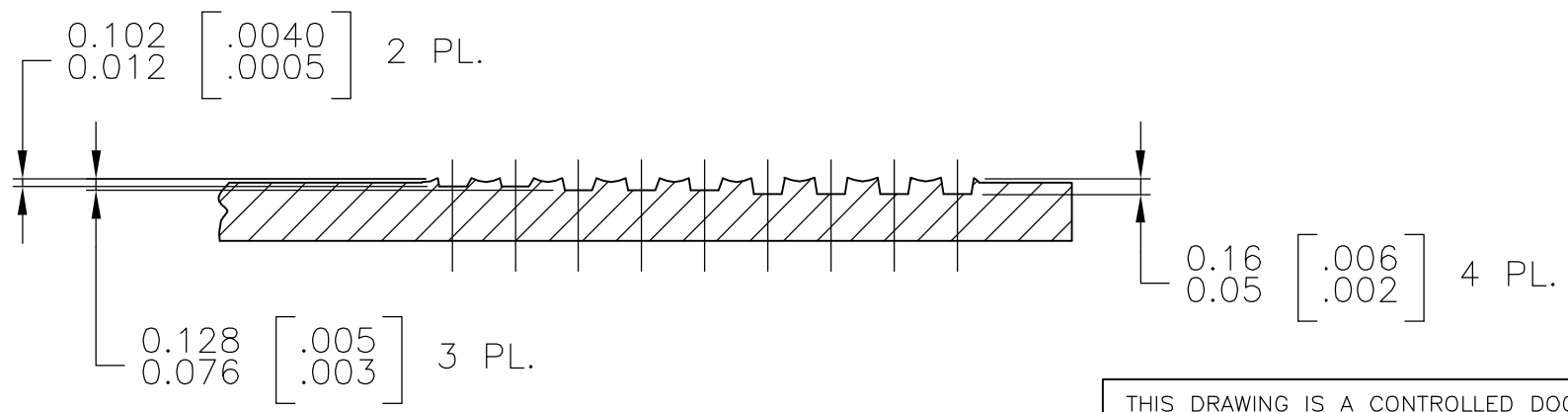
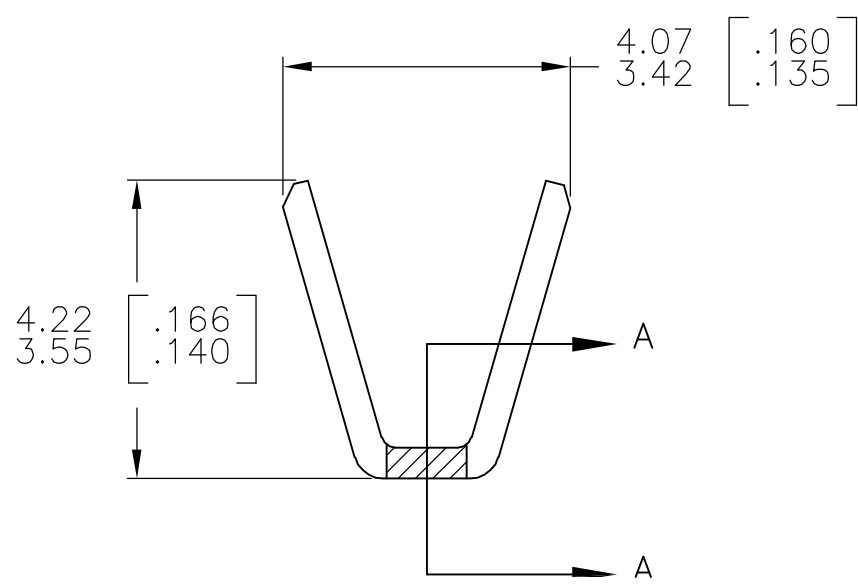
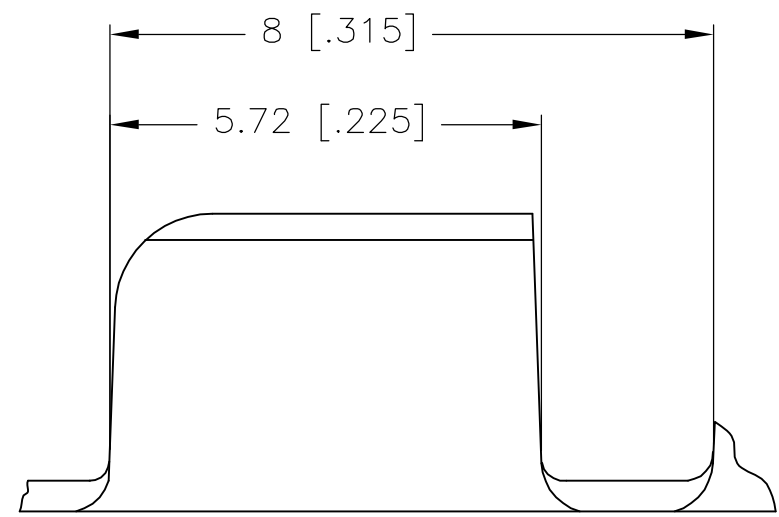


THIS DRAWING IS UNPUBLISHED. RELEASED FOR PUBLICATION
 © COPYRIGHT BY TYCO ELECTRONICS CORPORATION. ALL RIGHTS RESERVED.

LOC	DIST	REVISIONS					
AF	50	P	LTR	DESCRIPTION	DATE	DWN	APVD
			E1	ECR-06-003925 (REDRAWN IN AUTOCAD)	27JAN06	HMR	GDP



1. PRODUCT PROVIDED IN STRIP FORM ON REELS; BREAKS MAY BE PRESENT.
2. DIMENSIONS IN BRACKETS ARE IN INCHES.
3. PRELIMINARY—NOT FOR PRODUCTION.
4. CRIMP WIDTH: .110 F (AMPLIVAR TYPE)
 CRIMP HEIGHT (±.002)=(TOTAL CMA+8770)/191,200
 GENERAL APPLICATION GUIDELINES MUST BE FOLLOWED AS SPECIFIED IN CATALOG #82221
 FOR APPLICATOR INFORMATION CALL:1-800-722-1111
 FOR PRODUCT INFORMATION CALL:1-800-522-6752



SECTION A-A
 SCALE : 20:1

METRIC

REVERSE	62307-3	4
STANDARD	62307-2	
REELING	PART NO	

THIS DRAWING IS A CONTROLLED DOCUMENT.		DWN RAGHAVENDRA 27JAN06	Tyco Electronics Corporation Harrisburg, PA 17105-3608	
DIMENSIONS: mm [INCHES]		CHK G.D.PORTA	APVD G.D.PORTA	
TOLERANCES UNLESS OTHERWISE SPECIFIED:		PRODUCT SPEC		
0 PLC ± -	1 PLC ± -	APPLICATION SPEC		
2 PLC ± 0.38 [.015]	3 PLC ± -	114-2003		
4 PLC ± -	ANGLES ± 1°	SIZE A3	CAGE CODE 00779	DRAWING NO C-62307
MATERIAL 0.41 [.016] BRASS	FINISH TIN PL.	WEIGHT -		RESTRICTED TO -
		CUSTOMER DRAWING		SCALE 10:1 SHEET 1 OF 1 REV E1